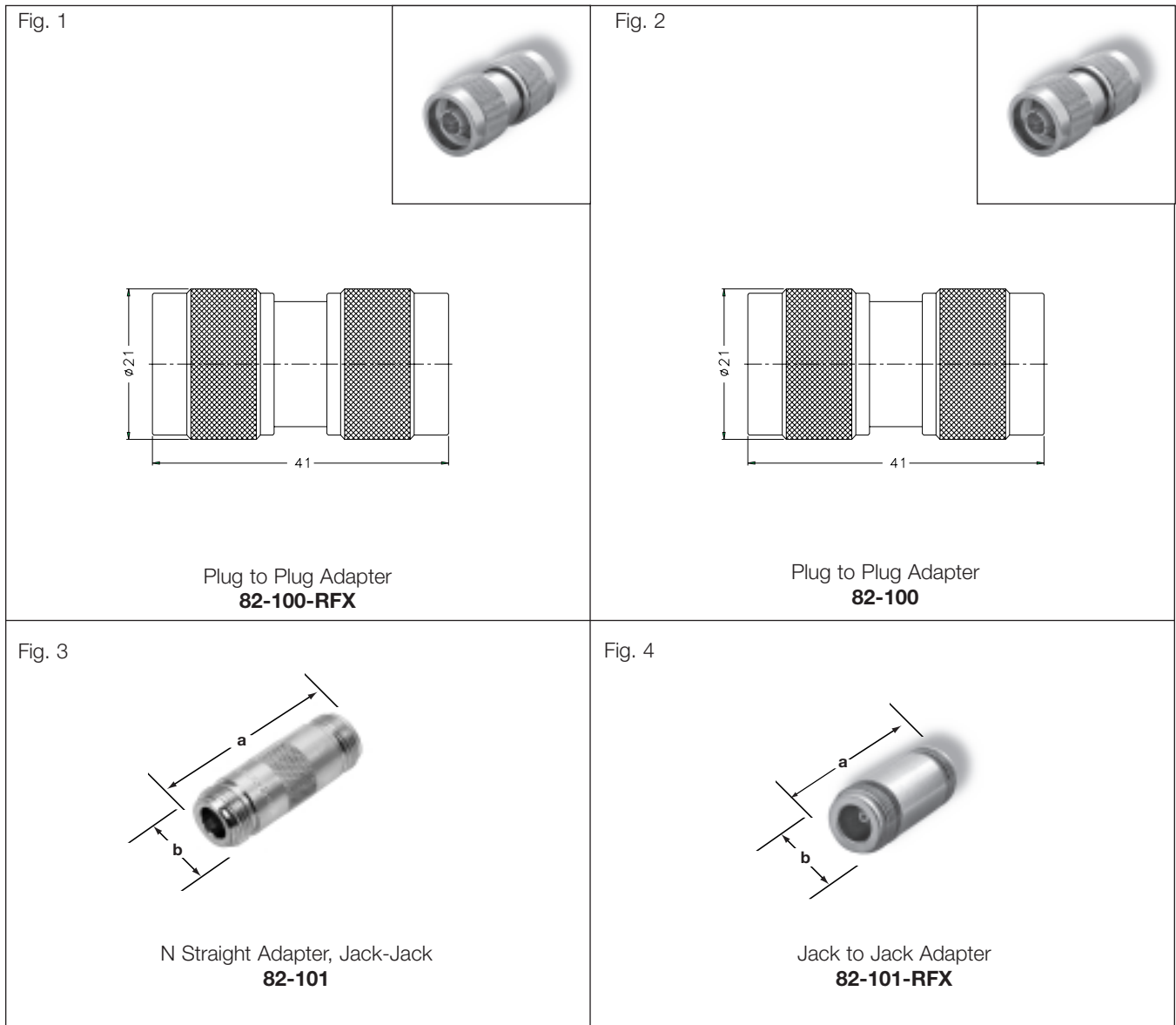


# Type N Adapters, Straight



## N ADAPTERS

| Adapter Ends | Description | Dimensions, inches (millimeters) |            |   |   | Mtg Hole | Construction Notes |      |       | Military Number | Amphenol Number            | Fig. |
|--------------|-------------|----------------------------------|------------|---|---|----------|--------------------|------|-------|-----------------|----------------------------|------|
|              |             | a                                | b          | d | e |          | Plt.               | Ins. | Other |                 |                            |      |
| Plug-Plug    | Straight    | 1.59(40.5)                       | .813(20.6) | — | — | —        | P4                 | D1   | —     | UG-57B/U        | <a href="#">82-100</a>     | 1    |
| Plug-Plug    | Straight    | 1.59(40.5)                       | .813(20.6) | — | — | —        | P7                 | D1   | —     | UG-57B/U        | <a href="#">82-100-RFX</a> | 2    |
| Jack-Jack    | Straight    | 1.78(45.2)                       | .656(16.7) | — | — | —        | P1                 | D1   | —     | UG-29B/U        | <a href="#">82-101</a>     | 3    |
| Jack-Jack    | Straight    | 1.50(38.1)                       | .620(15.8) | — | — | —        | P1                 | D1   | —     | UG-29B/U        | <a href="#">82-101-RFX</a> | 4    |

▲ Distributor stocked